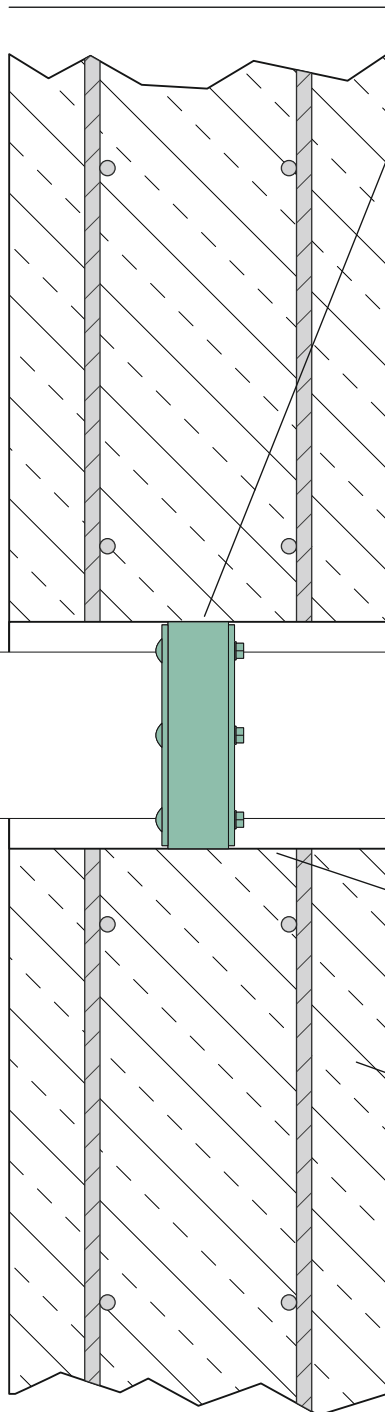
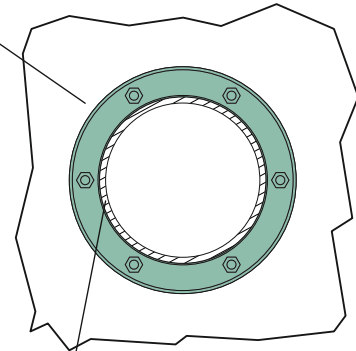


MASTER - RING /  
MULTI / MULTIPLE /  
BLIND PLUG

WATER  
SIDE



TOP VIEW



PIPE /  
PENETRATION

CORE DRILL HOLE  
WITH ANTI-CORROSIVE

IN-SITU CONCRETE  
WALL

MASTER - RING / MULTI / MULTIPLE /  
BLIND PLUG in core drill hole in-situ concrete

**MASTERTEC GmbH & Co. KG**  
Special articles for reinforced construction

Gewerbegebiet Unterhaid  
Im Maintal 13  
D-96173 Oberhaid

tel: +49 (0) 9503 / 5047-0  
fax: +49 (0) 9503 / 5047-20  
mail: [info@mastertec.eu](mailto:info@mastertec.eu)  
web: [www.mastertec.eu](http://www.mastertec.eu)



planning information:

scale: 1:5  
unit of measurement: mm  
status: 10.09.2021

product information:

article number: 120080 - 120270  
120410 - 120550  
product information at  
[www.mastertec.eu](http://www.mastertec.eu)