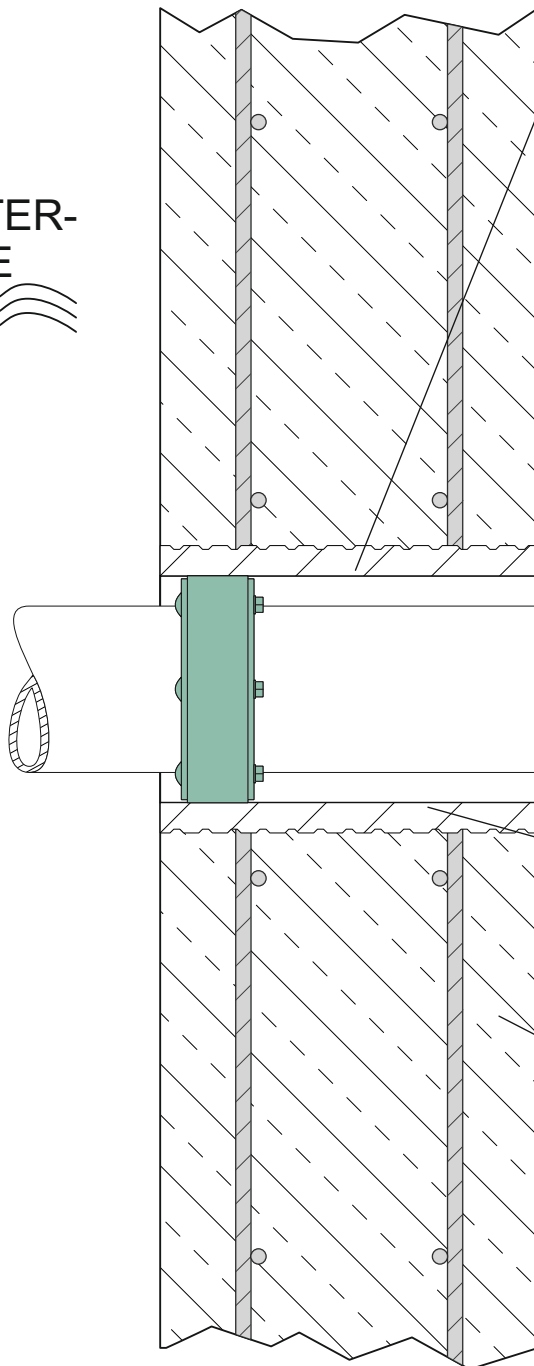
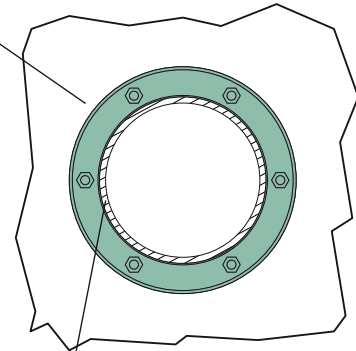


MASTER - RING MULTI

WATER-
SIDE



FRONT VIEW



PIPE /
PENETRATION

LINING PIPE

IN-SITU CONCRETE WALL

MASTER - RING MULTI in Lining Pipe in-situ concrete

planning information:

scale: 1:5
unit of measurement: mm
status: 06.09.2021

product information:

article number: 120135 / 120171
120193 / 120270
product information at
www.mastertec.eu

MASTERTEC GmbH & Co. KG
special article for reinforced construction

Gewerbegebiet Unterhaid
Im Maintal 13
D-96173 Oberhaid

Tel: +49 (0) 9503 / 5047-0
Fax: +49 (0) 9503 / 5047-20
Mail: info@mastertec.eu
Web: www.mastertec.eu

